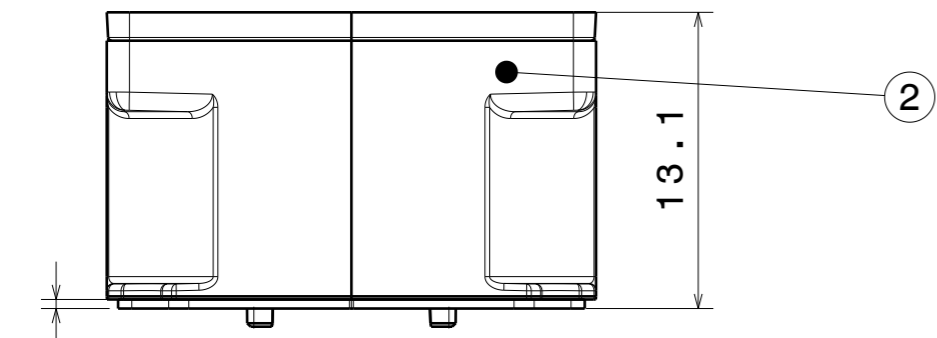


H G F E D C B A

4



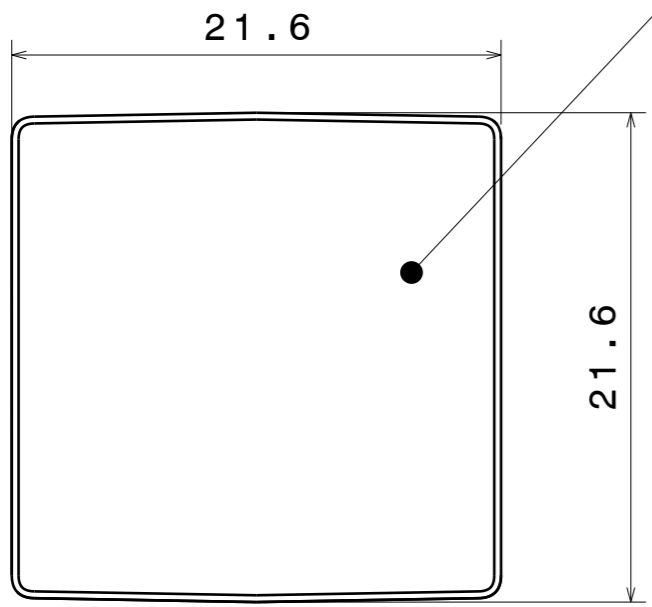
Front view

0.4

13.1

2

3



Top view

21.6

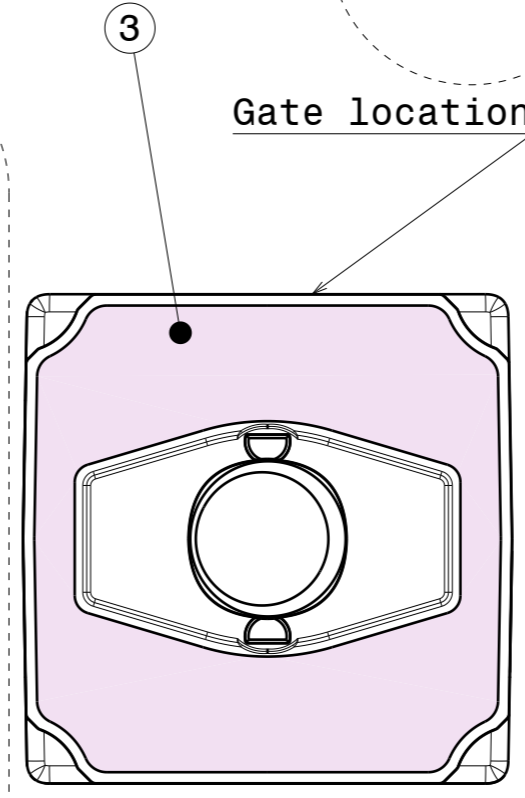
21.6

1

2

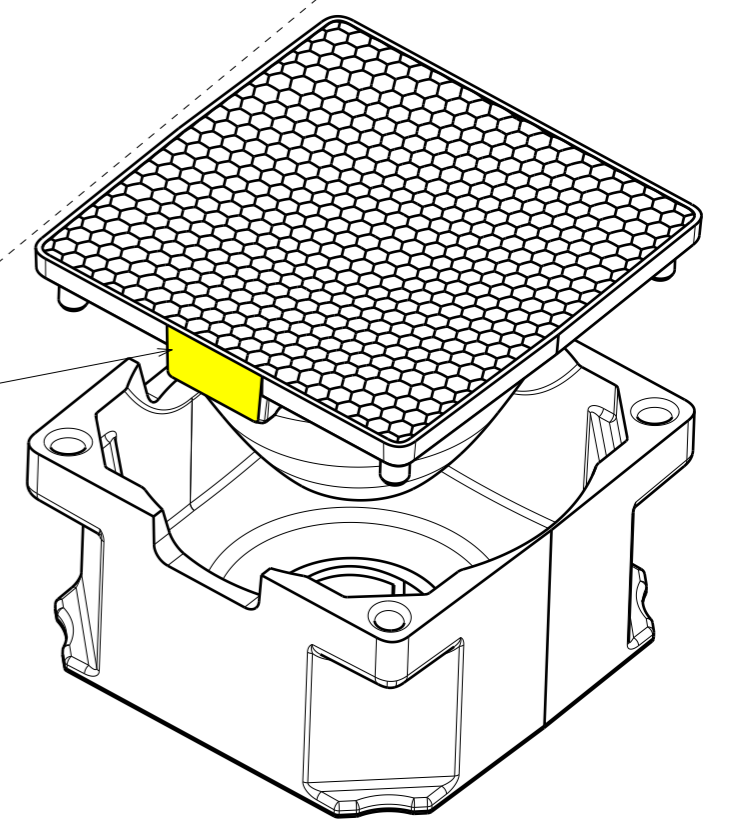
Tilt direction

Gate location



Bottom view

3



Isometric view

4

3

2

1

INDEX	PART NO	DESCRIPTION	MATERIAL	COLOUR
1	C12724	LAURA-SS-WAS	PMMA	Clear
2	C11835	LAURA-PIN-XP-HLD-WHT	PC	White
3	C10278	ROSE-TAPE	Acrylic foam	Black

Tolerances if not otherwise shown  
According to DIN ISO 2768-1  
Linear measures:  
Up to 30mm class M, otherwise class C.  
According to DIN ISO 2768-2  
Form and position: class L

**LEDiL** LediL Oy  
Salorankatu 10  
FIN 24240 SALO  
Finland

THIRD ANGLE PROJECTION:

DRAWING TITLE  
**Datasheet\_LAURA-SS-WAS-PIN**

This drawing is the property of LEDiL Oy. It may not be reproduced, copied or communicated without a written agreement with LEDiL Oy."

SIZE PART NUMBER  
**A3 LAURA-SS-WAS-PIN**

SCALE 3:1 WEIGHT 4,25 g SHEET 1/1

H G B A